



## At a glance

### Applications



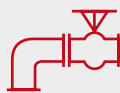
Frost protection



Temperature maintenance



Silos, containers, tanks



Pipelines, valves, pumps

- › Power plants
- › Chemical industry
- › Petrochemical industry
- › Oil and gas industry
- › Pharmaceutical industry
- › Plastics industry
- › Process technology

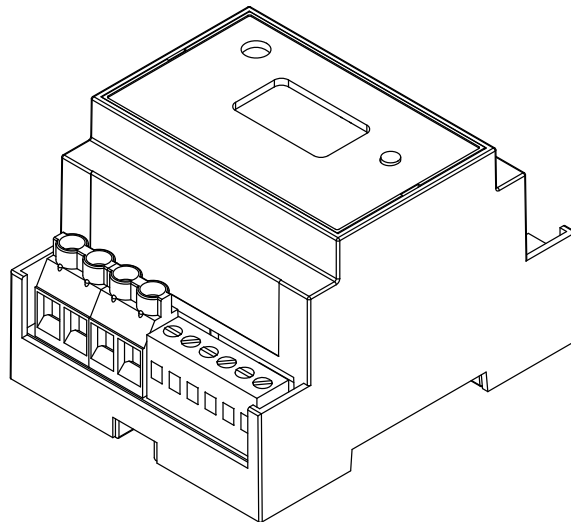
### Advantages

- › OLED display
- › High switching capacity
- › Compact design
- › Convenient operation
- › Two-pole switch-off

### Approvals

# Smart Limiter

## Temperature Limiter



The Smart Limiter electronic temperature limiter was developed for use with electrical trace heating systems in potentially explosive atmospheres for DIN rail mounting. It is characterized by its high switching capacity - all-pole up to 30A - despite its compact design of 4 DU, its convenient operation and parameterization via Wi-Fi and its "smart" switching behaviour. It only switches off at the set maximum temperature if the temperature controller has not switched off and there is therefore a critical overtemperature. In practice, this means, for example, that the system can be steam flushed without having to reset the limiter afterwards.

## Checklist

### Temperature sensors

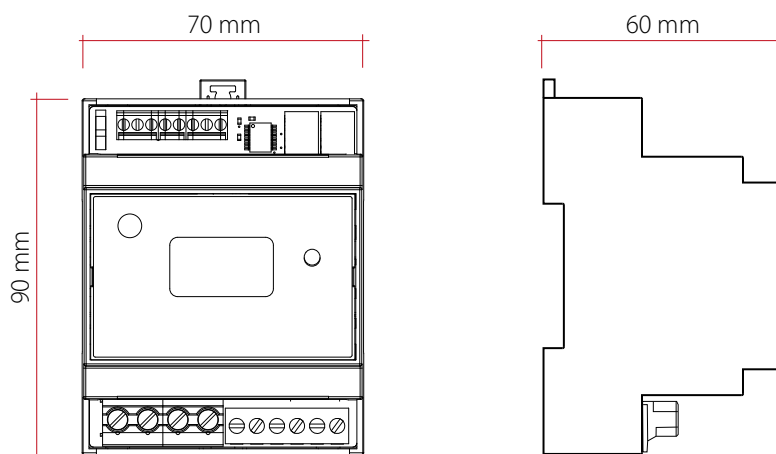
ELTF-PTEx.2	Pt100 4-wire, line fluoropolymer, length = 3 m	0X70002
ELTF-PT.5	Pt100 4-wire, line fluoropolymer, length = 3 m	0650022



## Technical Specifications

Operating voltage	100...240 VAC, 50/60 Hz
Max. power consumption	max. 8W (Wi-Fi switched on)
Switching capacity Relay K1 N/O contact (heating)	30 A (resistive load, max. 250 VAC), two-pole
Switching capacity Relay K2 N/C contact (alarm)	5 A (resistive load, max. 250 VAC), potential-free
Ambient temperature	0 °C up to +50 °C
Storage temperature	-20 °C up to +65 °C
Max. air humidity	80% r.h., non-condensing
Setpoint temperature range	-20 °C up to +500 °C
Measuring range	-20 °C up to +500 °C
Resolution	<100 °C 0,1 K, >=100 °C 1 K
Switching accuracy	± 1 K
Connection terminals	Sensor & RS485: 0.05 - 1.31 mm <sup>2</sup> rigid & flexible Trace heater: 0.2 - 6 mm <sup>2</sup> rigid / 0.2 - 4mm <sup>2</sup> flexible Other: 0.05 - 3.31 mm <sup>2</sup> rigid & flexible
Sensor connection	Pt100 4-wire; fulfills requirement for operation with ELTF-PTE <sub>x</sub> sensors
Wi-Fi	2,4 GHz, IEEE 802.11b/g/n
Display	OLED display, 13 x 24 mm
Housing material	Plastic housing (ABS) with foil keyboard
Housing dimensions	70 (4DU)x 90 x 60 mm (WxHxD)
Protection	IP 20
Mounting	DIN rail
Weight	approx. 0.2 kg

### Dimensions



## Ordering Information

Type	Item no.
Smart Limiter	0634L00