



At a glance

Applications



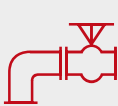
Frost protection



Temperature maintenance



Silos, containers, tanks



Pipelines, valves, pumps

- › Potentially explosive areas
- › Power plants
- › Chemical industry
- › Petrochemical industry
- › Oil and gas industry
- › Pharmaceutical industry
- › Plastics industry
- › Sewage treatment plants

Advantages

- › Intrinsically safe control panel
- › Does not have its own power supply
- › Operation and programming in the Ex-area

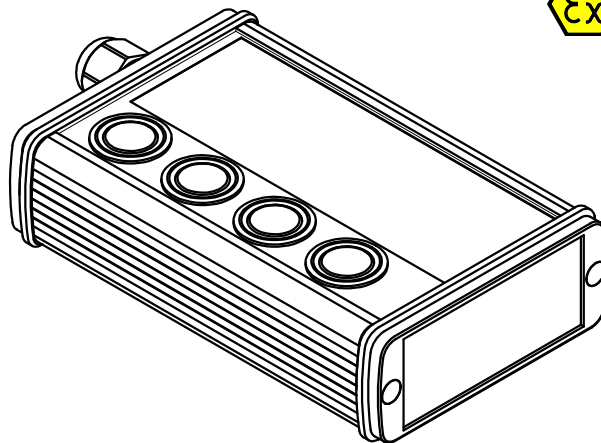
Approvals



- › II (2) GD [Ex ib] IIC
- › IBEExU04ATEX1165X

Ex Control

Handheld Operating Device



Intrinsically safe control panel for connecting to Ex-box REG/LED, LIM/LED. The Ex control panel ensures additional safety in potentially explosive atmospheres. Unauthorised adjustments to the setpoints are prevented because the control panel is only inserted for parametrisation.

The Ex-Control panel is used to parametrise and query parameters of the REG/LED Ex-box and LIM/LED Ex-box devices. Ex-Control detects the connected device and automatically activates the corresponding software. Ex-Control does not have its own power supply. It is supplied by the connected devices.

Technical Specifications

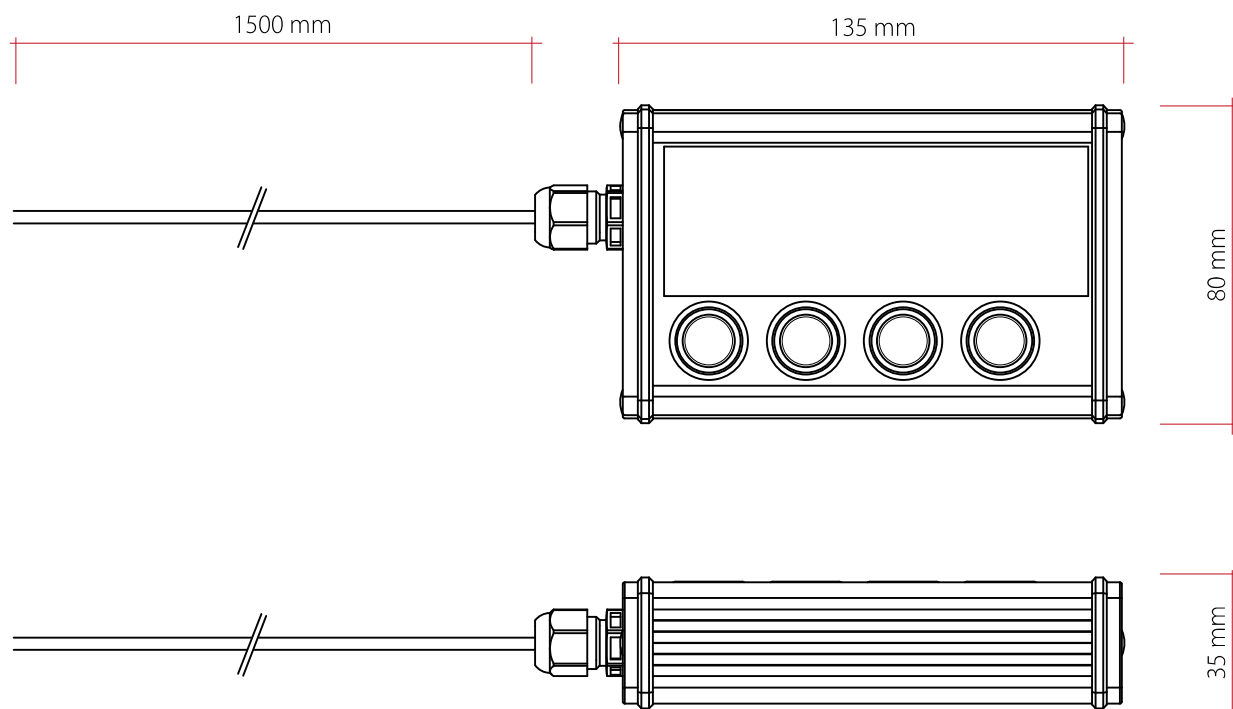
Programmable parameter	Error display
Limited adjustable temp. range	Sensor short-circuit
Temperature setpoint	Sensor interruption
Overtemperature alarm	Overtemperature on Pt100
Undertemperature alarm	Undertemperature on Pt100
Load separation for overtemperature	Internal overtemperature
Bus address 1 - 32	External bus error
Setting of Pt100	Internal bus error
Units °C and °F	Internal hardware error
	Operating voltage error



Technical Specifications

Interface	Intrinsically safe for Ex-box LED/LIM
Cable entry	1.5 m connection cable with 5-pole plug
Ambient temperature	-32 to 60 °C
Display	2 x 4 35-segment display with backlighting
Housing material	Aluminium
Protection	IP 65
Dimensions	135 x 80 x 35mm (WxHxD)
Weight	approx. 0.5 kg

Dimensions



Ordering Information

Type	Item no.
Ex-control	0X60026