



At a glance

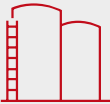
Applications



Frost protection



Temperature maintenance



Silos, containers, tanks



Pipelines, valves, pumps

- › Potentially explosive areas
- › Power plants
- › Chemical industry
- › Petrochemical industry
- › Oil and gas industry
- › Pharmaceutical industry
- › Plastics industry
- › Sewage treatment plants

Advantages

- › Wall mounting
- › Sturdy housing IP 65
- › Operation in Ex areas
- › Increased safety through alarm messages
- › Heating circuit monitoring
- › Display

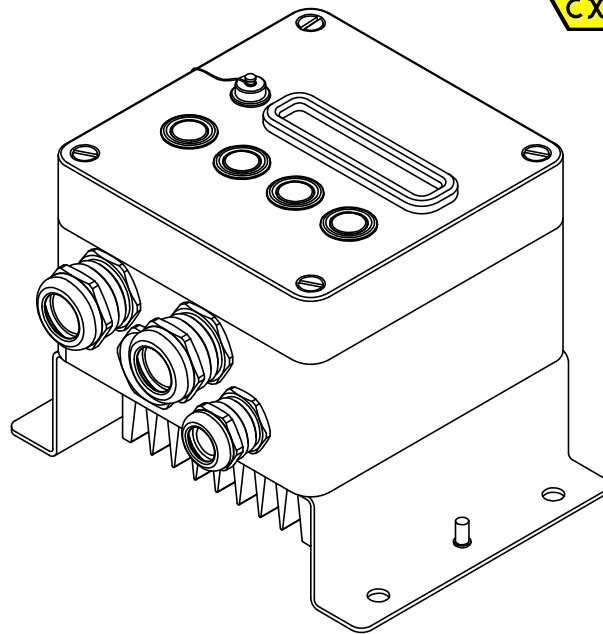
Approvals



- › II 2G Ex ib IIC T4
- › II 2D Ex tD A21 IP65 T100°C
- › IExU04ATEX1165X

Ex-box LIM/DIS

Limitter with Display



The LIM/DIS Ex-box is an electronic limiter for shutting down the connected electrical trace heating with lasting effect in case of overtemperature and is suitable for installation in potentially explosive atmospheres as well as inside or outside of buildings. The integrated control panel with display or the integrated bus interface can be used for programming and operation.

The interface of the Ex box allows for central evaluation and parametrisation in the measurement control station with simultaneous decentralised use of the Ex box locally on the corresponding heating circuits.

Checklist

Temperature sensors

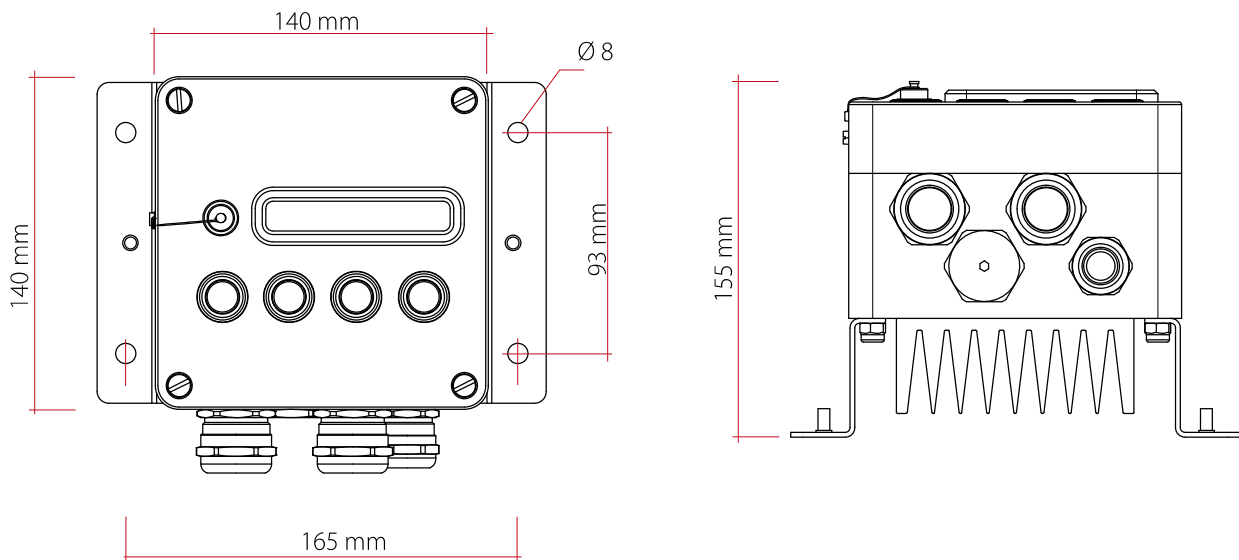
ELTF-PT.15	PT100 3 wires, 3.0 m PTFE-cable	0650070
ELTF-PT.2	Double PT100 3-wire, 3.0 m PFA-cable	0650072



Technical Specifications

Operating voltage	230 V AC \pm 10%, 50 Hz
Nominal current	Max. 100 mA
Switching capacity	16 A (resistive load)
Load output	230 V AC/ 16 A, 2-pole
Load separation	2-phase
Ambient temperature	-32 to 60 °C
Measuring range	-40°C up to +300°C
Setpoint temperature range	+50°C up to +300°C
Control response	Two-point
Tracer connection	Pt100 2/3 wires, intrinsically safe
Alarm output	Optically separated 100 mA
Display	2 x 4 35-segment display
Housing material	Aluminium
Protection	IP 65
Dimensions	140 x 140 x 150 mm (WxHxD)
Weight	approx. 3.5 kg

Dimensions



Ordering Information

Type	Item no.
Ex-box LIM/DIS	0X60024