


Operating Instructions



Electronic Temperature Controller ELTC/1-4/05 (Part No. 0620000 – 0620003)

eltherm GmbH Ernst-Heinkel-Str. 6-10 57299 Burbach T.: +49 2736 4413-0 F.: +49 2736 4413-50	8650002 BU-010	Operating Instructions Electronic Temperature Controller ELTC/1-4/05
	Author	Peter Schmidt

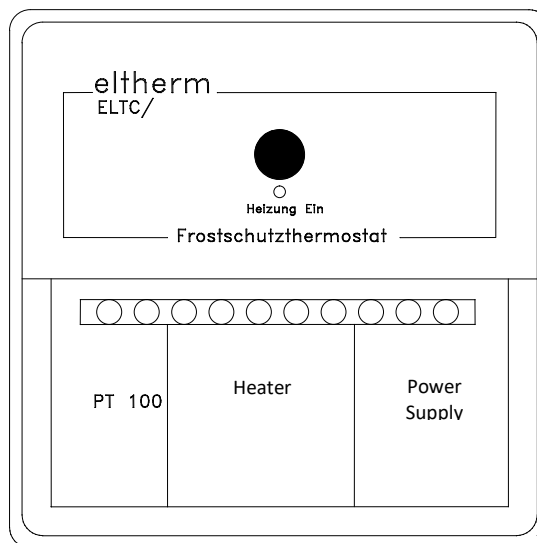
8650002	Operating Instructions Electronic Temperature Controller ELTC/1-4/05	
Autor	Peter Schmidt	
Revision 1	21.02.2013	

info@eltherm.com	Revision 2	21.02.2012
------------------	------------	------------

1. Description:

The electronic temperature controller type ELTC/ is designed for use as an ambient thermostat or surface thermostat with remote sensor. Cable glands and terminations are provided for the power connection.


The unit is supplied in a weather proof polycarbonate casing for wall mounting, with a transparent (ELTC/05 = grey) cover. The controller should be protected from direct sunlight when used outdoors.



2. Function

If the sensed temperature is lower than the adjusted set point, the relay contact closes and the heating switches on. The yellow LED glows while the contact is closed.

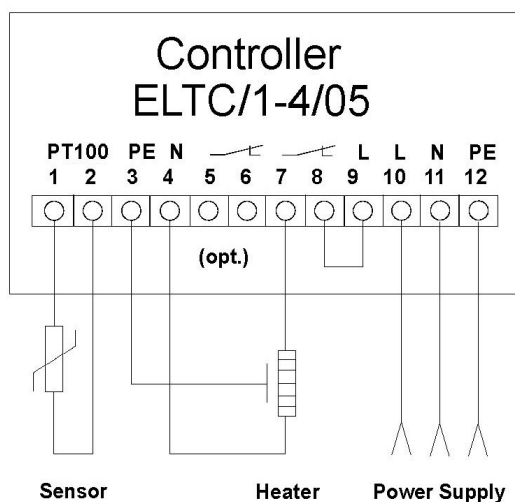
During sensor discontinuity or sensor short circuit, the heating is switched off!

8650002	Operating Instructions Electronic Temperature Controller ELTC/1-4/05	
Author	Peter Schmidt	
Revision 1	21.02.2013	

4. Outside temperature controller:

When installed as an outside temperature controller, the sensor cable is to be shortened so that the sensor cover can be secured inside of the M12 cable gland. There should be 15mm of the sensor cover exposed after securing the sensor into the gland.

Suggested setting for frost protection: +3°C



3. Technical Data:

Supply voltage:	230V, +/- 10%, 50Hz, if not otherwise stated
switching capacity	16A
measuring input	PT100 DIN 2- wire
adjustment ranges:	ELTC/05 ELTC/1 ELTC/2 ELTC/3 ELTC/4
ambient temperature	-30...+60°C
control characteristic	two-limits controller
LED yellow	HEATING ON
Material of case	Polycarbonate
Dimensions	130x130x175 mm
Protection type	IP 66
Weight	520 g
Cable glands for connection of self- regulating trace heaters	1xM12; 2xM25
For connection from both ends	1xM25; 1xM12; 2xM20