



At a glance

Applications



Temperature maintenance

- › industry
- › Laboratory
- › Technical centre
- › High-temperature range

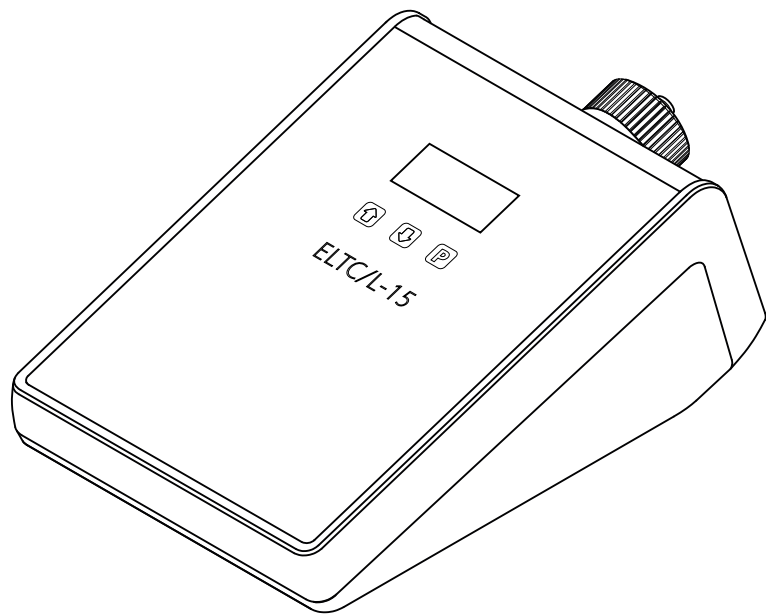
Advantages

- › Connection to the socket
- › Direct connection of heating tapes, heating sleeves or heated hoses
- › LED display up to -25 °C
- › Programmable 0 to +950 °C
- › Switches 110 A resistive load
- › Ramp function

Approvals

ELTC/L-15

Electronic temperature controller



The plug-in ELTC/L-15, specially developed for laboratory applications, is a controller with ramp function and digital display in a stable desk-top housing.

The temperature measured with a Pt100 temperature tracer or type K thermocouple is processed and displayed by a micro controller.

After comparison of actual and set-point value the output relay is switched in keeping with the configuration.

On the back, there is a power connection for direct connection to a socket, a built-in socket for connection of ready-made heating tapes and a built-in socket for connection of either a Pt100 or a type K thermocouple.

Checklist

Temperature sensors

ELTF-PT.1	Pt100 2-wire, cable PVC, length = 5 m	0650001
ELTF-PT.15	Pt100 3-wire, cable fluoropolymer, length = 3 m	0650070
ELTF-PT.33	Pt100 2-wire, cable fluoropolymer, length = 5 m	0650000
ELTF-Te4.1	Thermocouple type K, cable silicone, length = 5 m	0670019



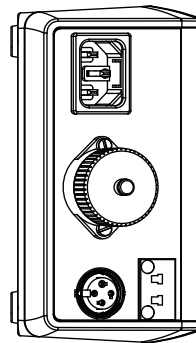
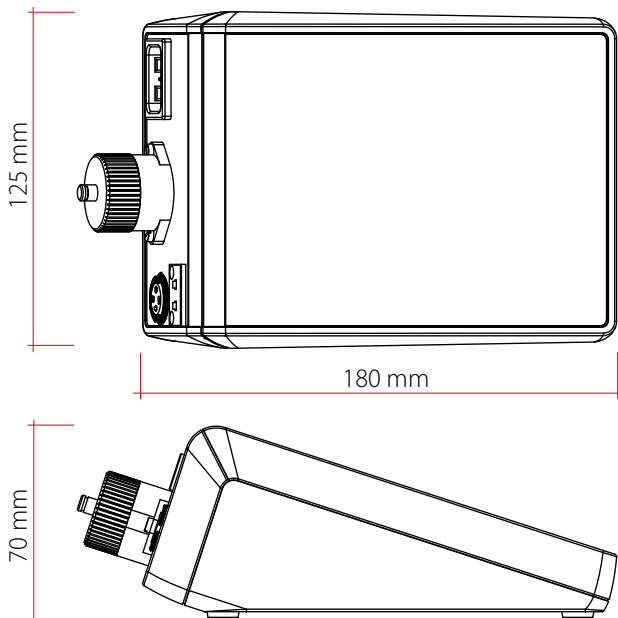
Technical Specifications

Operating voltage	230 VAC 50/60 Hz
Power consumption	Max. 5 VA
Switching capacity	10 A N/O contact
Ambient temperature	-25°C up to +55°C
Storage temperature	-30°C up to +60°C
Setpoint temperature range	-50°C up to +999°C
Measuring range	0°C up to +950°C
Protection	IP 20
Tracer connection	Pt100 2-wire & Pt100 3-wire, thermocouple type K*
Display	LED red
Housing material	Polycarbonate, white
Housing dimensions	125 x 70 x 180 mm (WxHxD)
Mounting	Desktop device
Weight	approx. 0.7 kg

* **Sensor and display:** 2 different sensor types can be used, Pt100/2-wire or Pt100/3-wire, and values can be displayed either as °C or °F. When using a Pt100/2-wire, the actual temperature value can be corrected. Range +/- 10K or +/- 18F. When using the Pt100/3-wire, the temperature is corrected automatically.

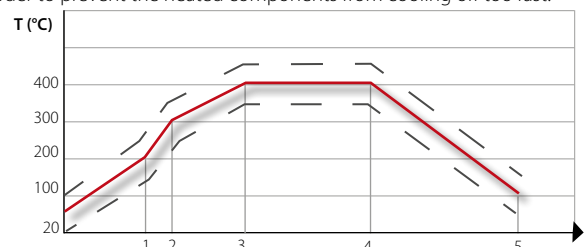
Relay configuration: Relay 1: Regulating relay

Dimensions



Ramp function:

Specific heating and defined cooling with counter heating in order to prevent the heated components from cooling off too fast.



Ordering Information

Type	Description	Item no.
ELTC/L-15	Temperature controller to 950°C, desk-top device with ramp function	0621501