



At a glance

Applications



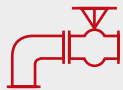
Frost protection



Temperature maintenance



Silos, containers, tanks



Pipelines, valves, pumps

- › Power plants
- › Chemical industry
- › Pharmaceutical industry
- › Plastics industry
- › Building technology

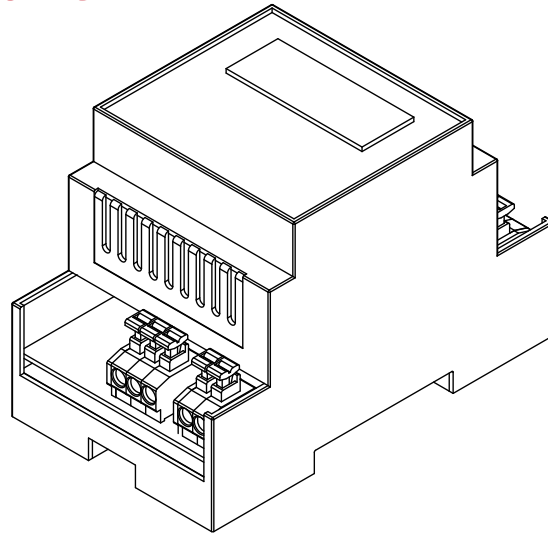
Advantages

- › LED display up to -25 °C
- › Programmable -50 to +400 °C
- › Switches 16 A resistive load
- › Alarm contact
- › Pt100 in 2- & 3-wire circuit

Approvals

ELTC-21 & ELTC-22

Electronic temperature controller



The ELTC-21 / ELTC-22 is an electronic temperature controller with digital display for mounting on a top-hat rail. The temperature measured with a Pt100 temperature tracer is processed and displayed by a micro controller. After comparison of actual and set-point value the output relay is switched in keeping with the configuration.

Checklist

Temperature sensors

ELTF-PT.1	Pt100 2-wire, cable PVC, length = 5 m	0650001
ELTF-PT.15	Pt100 3-wire, cable fluoropolymer, length = 3 m	0650070
ELTF-PT.33	Pt100 2-wire, cable fluoropolymer, length = 5 m	0650000



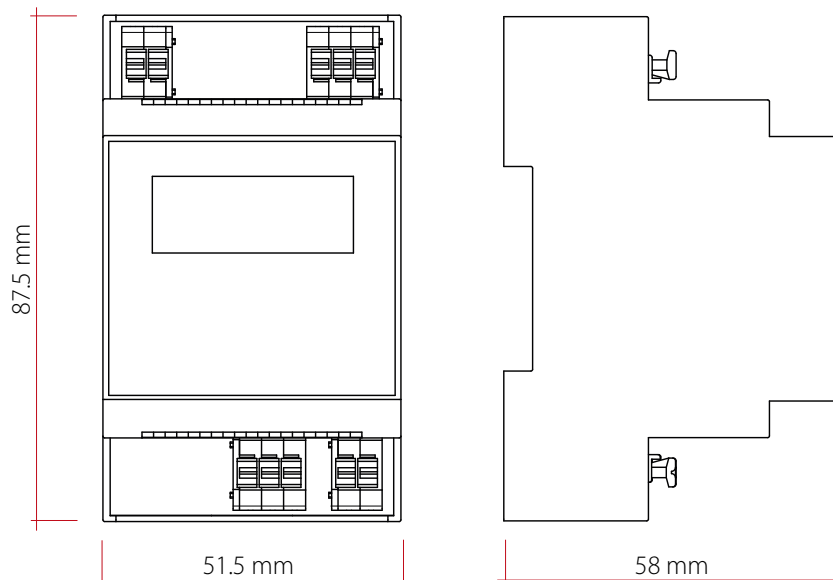
Technical Specifications

Operating voltage	230 V AC (ELTC-21); 24 V DC (ELTC-22)
Power consumption	Max. 4 mA < 5 VA
Switching capacity Relay 1	16 A N/O contact (heating)
Switching capacity Relay 2	8 A changeover contact (alarm)
Ambient temperature	-25°C up to +55°C
Storage temperature	-25°C up to +60°C
Setpoint temperature range	0°C up to 400°C
Tracer connection	Pt100 2-wire & Pt100 3-wire *
Display	LED red
Housing material	ABS, black
Housing dimensions	51.5 x 87.5 x 58 mm (WxHxD)
Protection	IP 54 from the front, IP 30
Mounting	DIN rail TS
Weight	approx. 0.2 kg

* **Sensor and display:** 2 different sensor types can be used, Pt100/2-wire or Pt100/3-wire, and values can be displayed either as °C or °F. When using a Pt100/2-wire, the actual temperature value can be corrected. Range +/- 10K or +/- 18F. When using the Pt100/3-wire, the temperature is corrected automatically. Also suitable for use with ELTF-PTEx 1 and 2 sensors.

Temperature alarm: If the measured actual value deviates from the pre-set limit value, an alarm is triggered and passed on using the K2 relay as an alarm relay.

Dimensions



Ordering Information

Type	Operating voltage	Item no.
ELTC 21	230 VAC	0610093
ELTC 22	24 VDC	0610094