



## At a glance

### Applications



Frost protection



Temperature maintenance



Silos, containers, tanks



Pipelines, valves, pumps

- › Power plants
- › Chemical industry
- › Pharmaceutical industry
- › Plastics industry
- › Building technology

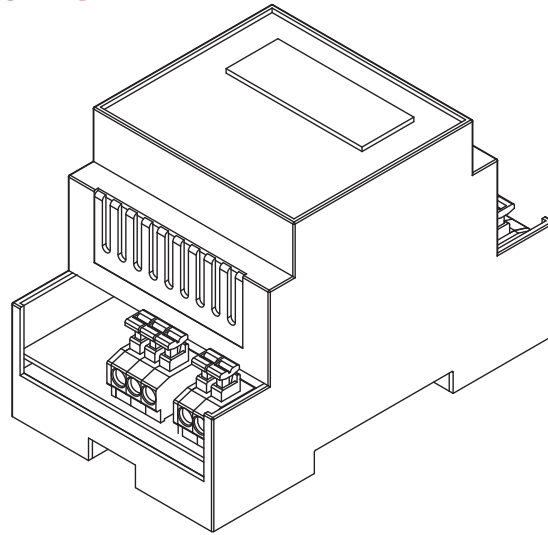
### Advantages

- › LED display up to -25 °C
- › Programmable -50 to +400 °C
- › Switches 16 A resistive load
- › Alarm contact
- › Pt100 in 2- & 3-wire circuit

### Approvals

# ELTC-21 & ELTC-22

## Electronic temperature controller



The ELTC-21 / ELTC-22 is an electronic temperature controller with digital display for mounting on a top-hat rail. The temperature measured with a Pt100 temperature tracer is processed and displayed by a micro controller. After comparison of actual and set-point value the output relay is switched in keeping with the configuration.

## Checklist

### Temperature sensors

ELTF-PT.1	Pt100 2-wire, cable PVC, length = 5 m	0650001
ELTF-PT.15	Pt100 3-wire, cable fluoropolymer, length = 3 m	0650070
ELTF-PT.33	Pt100 2-wire, cable fluoropolymer, length = 5 m	0650000

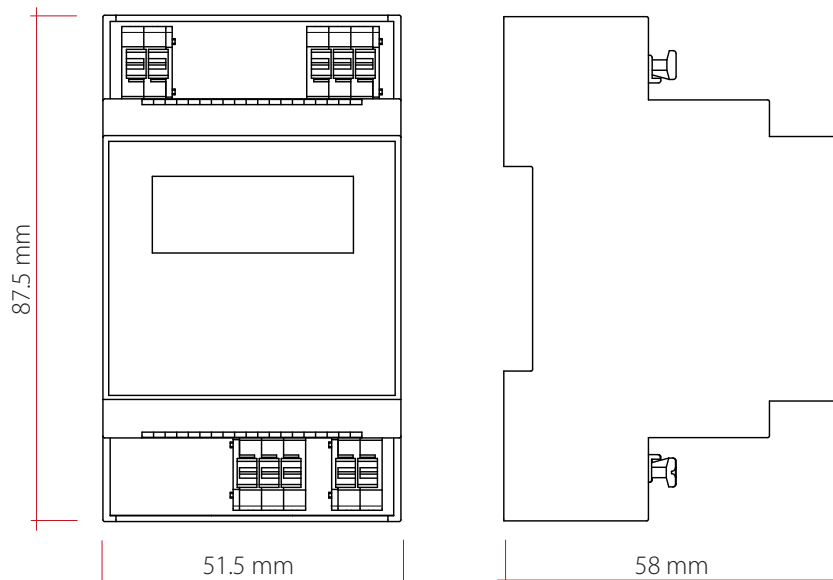
## Technical Specifications

Operating voltage	230 V AC (ELTC-21); 24 V DC (ELTC-22)
Power consumption	Max. 4 mA < 5 VA
Switching capacity Relay 1	16 A N/O contact (heating)
Switching capacity Relay 2	8 A changeover contact (alarm)
Ambient temperature	-25°C up to +55°C
Storage temperature	-25°C up to +60°C
Setpoint temperature range	0°C up to 400°C
Tracer connection	Pt100 2-wire & Pt100 3-wire *
Display	LED red
Housing material	Polycarbonate, black
Housing dimensions	51.5 x 87.5 x 58 mm (WxHxD)
Protection	IP 54 from the front, IP 30
Mounting	DIN rail TS
Weight	approx. 0.2 kg

\* **Sensor and display:** 2 different sensor types can be used, Pt100/2-wire or Pt100/3-wire, and values can be displayed either as °C or °F. When using a Pt100/2-wire, the actual temperature value can be corrected. Range +/- 10K or +/- 18F. When using the Pt100/3-wire, the temperature is corrected automatically. Also suitable for use with ELTF-PTEx 1 and 2 sensors.

**Temperature alarm:** If the measured actual value deviates from the pre-set limit value, an alarm is triggered and passed on using the K2 relay as an alarm relay.

### Dimensions



## Ordering Information

Type	Operating voltage	Item no.
ELTC 21	230 VAC	0610093
ELTC 22	24 VDC	0610094