



At a glance

Applications



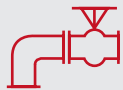
Frost protection



Temperature maintenance



Silos, containers, tanks



Pipelines, valves, pumps

- › industry
- › Building technology

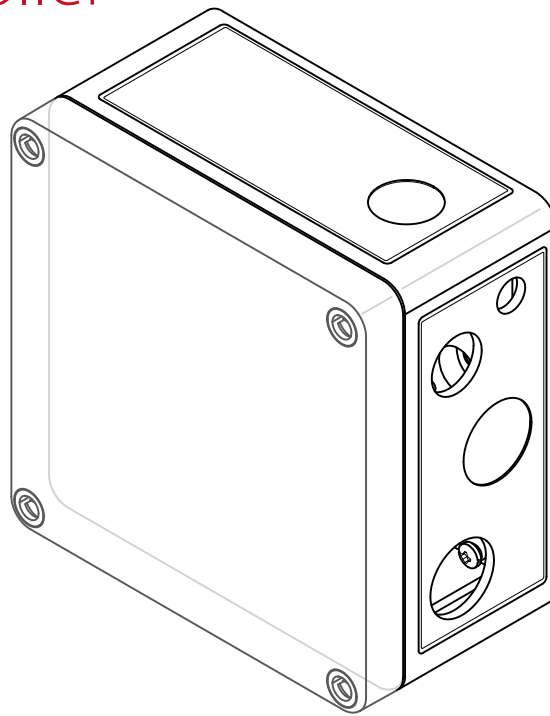
Advantages

- › Wall mounting
- › LED display
- › Programmable 0 to +390 °C
- › Switches 20 A resistive load
- › Alarm contact (configurable)
- › Pt100 in 2- & 3-wire circuit
- › Up to 2 ELSR can be connected

Approvals

ELTC-14

Electronic temperature controller



The electronic temperature controller of type series ELTC is a controller with digital display for wall mounting. The temperature measured with a Pt100 temperature tracer is processed and displayed by a micro controller. After the actual and setpoint value are compared, the output relay is switched according to the configuration.

Cable glands and terminals are installed for the electrical connection.

The device is delivered in a splash-proof plastic housing with a transparent housing cover and includes accessories.

Accessories:

- 2 x screw con. M25 (6-13mm), 2x seal (2x6mm), 2 x O-ring f. M25,
- 2 x screw con. M20 (6-12mm), 2x O-ring f. M20,
- 1 x screw con. M12 (3-6.5mm), 1x O-ring f. M12,
- 1 x locknut M25
- 1 x locknut M20

Checklist

Temperature sensors

ELTF-PT.1	Pt100 2-wire, AL PVC, length = 5 m	0650001
ELTF-PT.15	Pt100 3-wire, AL fluoropolymer, length = 3 m	0650070
ELTF-PT.33	Pt100 2-wire, AL fluoropolymer, length = 5 m	0650000



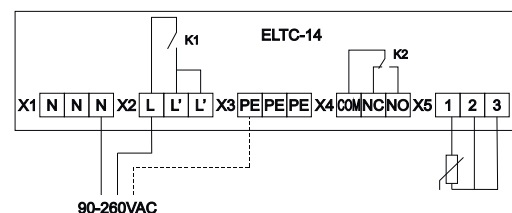
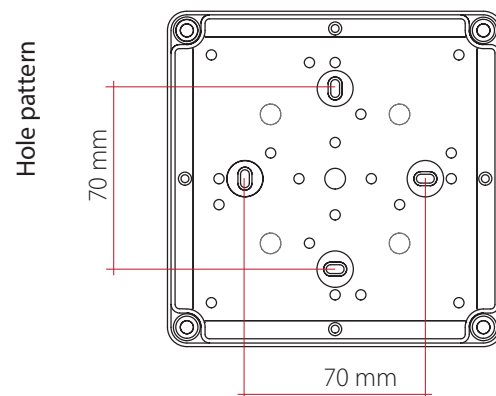
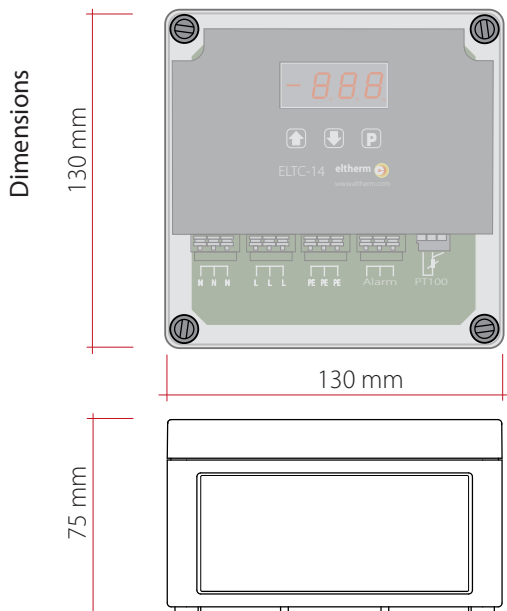
Technical Specifications

Operating voltage	90 to 260 V AC, 50/60 Hz
Power consumption	Max. 4 mA < 5 VA
Switching capacity Relay 1	20 A hybrid relay
Switching capacity Relay 2	8 A changeover contact (alarm)
Ambient temperature	-25°C up to +55°C
Storage temperature	-30°C up to +60°C
Setpoint temperature range	-50°C up to +400°C (ELTC-14); -50°C up to +99°C (ELTC-14P)
Measuring range	0°C up to 390°C
Tracer connection	Pt100 2-wire & Pt100 3-wire *
Display	LED red
Housing material	Polycarbonate, grey; transparent cover
Housing dimensions	130 x 130 x 75 mm (WxHxD)
Protection	IP 65
Mounting	Wall mounting
Weight	approx. 0.6 kg

* **Sensor and display:** 2 different sensor types can be used, Pt100/2-wire or Pt100/3-wire, and values can be displayed either as °C or °F. When using a Pt100/2-wire, the actual temperature value can be corrected. Range +/- 10K or +/- 18F. When using the Pt100/3-wire, the temperature is corrected automatically.

Relay configuration: Relay 1: Controller relay, relay 2: Alarm relay: Alarm / temp. reached

Temperature alarm: If the measured actual value deviates from the pre-set limit value, an alarm is triggered and passed on using the K2 relay as an alarm relay.



Ordering Information

Type	Description	Item no.
ELTC 14	Standard: Set with cable glands, reductions & blind plugs	0620000
ELTC 14P	Ambient Temperature: Set with cable glands, reductions & blind plugs	0620010