



At a glance

Applications



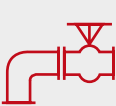
Frost protection



Temperature maintenance



Silos, containers, tanks



Pipelines, valves, pumps

- › Potentially explosive areas
- › Power plants
- › Chemical industry
- › Petrochemical industry
- › Oil and gas industry
- › Pharmaceutical industry
- › Plastics industry

Advantages

- › Wall mounting
- › Sturdy exd housing
- › Can be used for a wide range of applications
- › Seawater-resistant

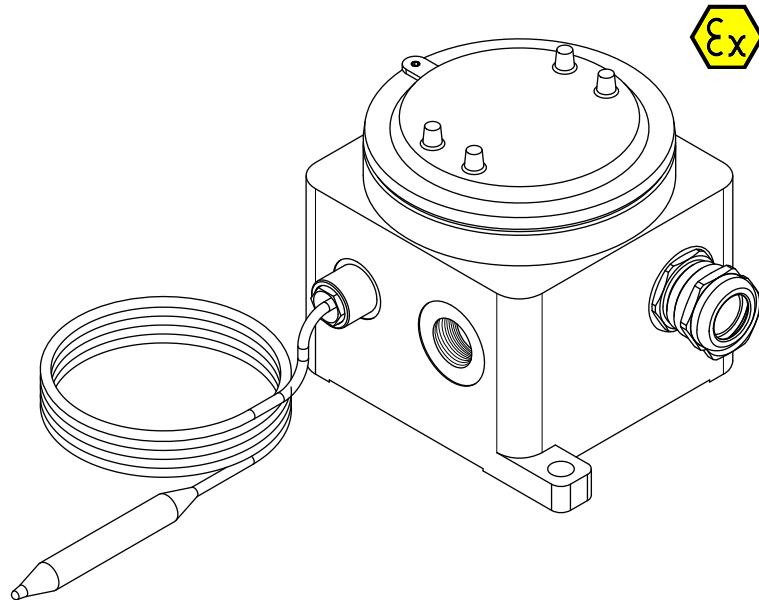
Approvals



- › II 2G Ex db IIC T6 Gb
- › II 2D Ex tb IIIC T85°C Db
- › IExU03ATEX1130X
- › IECEx IBE 14.0069X

EL-CT

Ex Capillary Tube Thermostat



The capillary tube thermostat EL-CT can be used in the Ex-area in zones 1 and 2 for gas and in zones 21 and 22 for dust as a surface thermostat on frames and containers. The capillary tube thermostat EL-CT is available with different temperature adjustment ranges. The capillary tube thermostat is made of stainless steel and the sturdy exd housing is made of aluminium.

Checklist

Fitting

M20 R Ms

Ex-d screw connection 5.8/6.2 x 8.1/13.5 mm

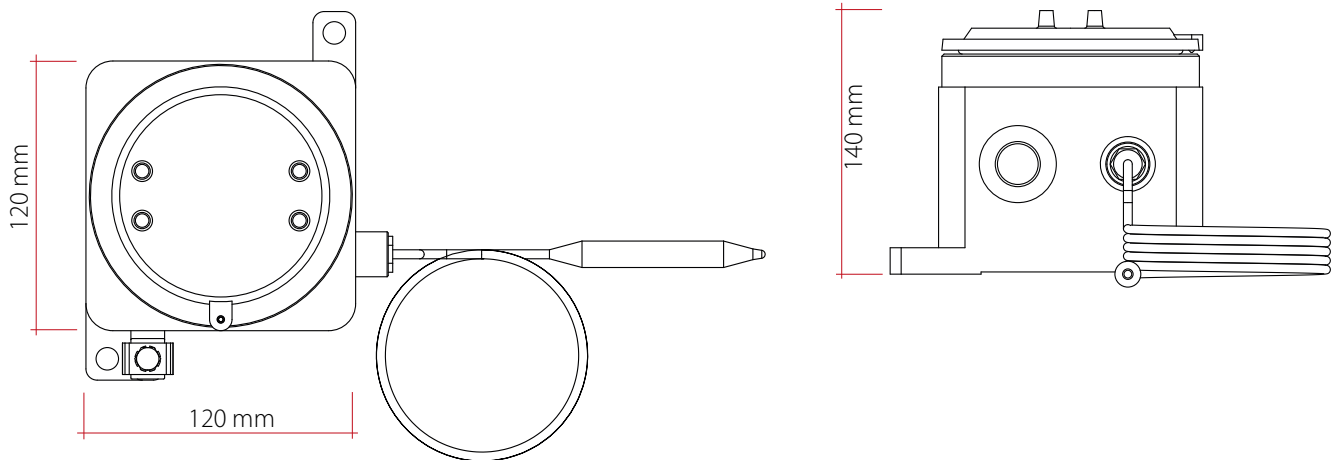
2572020003



Technical Specifications

Operating voltage	230 V AC \pm 10%, 50 Hz
Switching contact	1 pole N/C contact
Switching capacity	16 A at 230 V [CT] / 10 A at 400 V [CT(2)]
Switching difference	230 V \pm 10 % [CT] / 400 V [CT(2)]
Hysteresis	2.5 % of end-of-scale value
Ambient temperature	-32 to +50 °C [CT], -50 °C to + 50 °C [CT(2)]
Housing material	Aluminium
Protection	IP 66
Dimensions	120 x 120 x 110 mm (WxHxD)
Weight	approx. 1.8 kg
Capillary material	Stainless steel 1.4571
Length of capillary tube	2 m
Bending radius of capillary tube	min. 5 mm

Dimensions



Ordering Information

Type	Setting range	Max. sensor temperature	Item no.
EL-CT 30	-50°C up to +30°C	50°C	0X63030
EL-CT 50	0°C up to +50°C	105°C	0X63050
EL-CT 200	0°C up to +200°C	230°C	0X63200
EL-CT 500	+20°C up to +500°C	575°C	0X63500
EL-CT(2) 30	-10°C up to +30°C	60°C	0X63032
EL-CT(2) 65	+5°C up to +65°C	100°C	0X63065
EL-CT(2) 180	0°C up to +180°C	220°C	0X63180
EL-CT(2) 320	+50°C up to +320°C	330°C	0X63320