

At a glance

Applications



Silos, containers, tanks
Pipelines, valves, pumps

- › Chemistry and petrochemistry
- › Oil & gas
- › Power plants
- › Process technology

Advantages

- › Day & night lighted indication with high intensity LED
- › Fast assembly: pipe-mounted fitting, heater grommet and cable strain relief in one device
- › Easy to maintain

Suitable connection

- › One (1) self-regulating trace heater type ELSR-NA & ELSR-HA

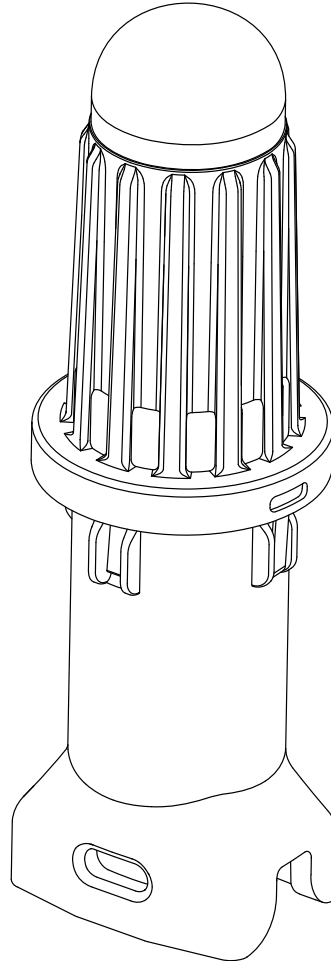
Approvals



- › CSA C US 2547790

Ex-It-LA

End of Circuit Lighted Termination



End of line termination device including mounting post designed for use with eltherm self-regulating trace heaters ELSR-NA and ELSR-HA. The Ex-it-LA end-of-line LED indicator light comes in versions with green or red LED light.

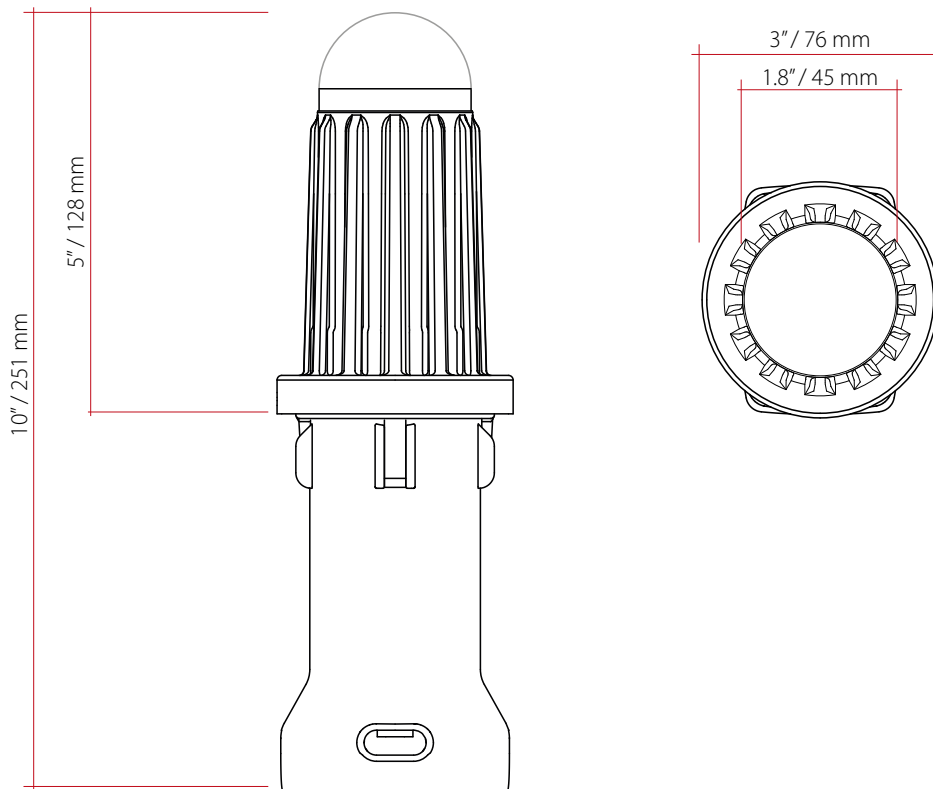
Checklist

Assembly Accessories

ELB-15.02	Hose clamp 16-25 mm (DN 15, 1/2"), mat. 1.4301	2723001016
ELB-15.04	Hose clamp 25-40 mm (DN 25, 1"), mat. 1.4301	2723001025
ELB-15.06	Hose clamp 40-60 mm (DN 40, 1.5"), mat. 1.4301	2723001040
ELB-15.09	Hose clamp 70-90 mm (DN 65, 2.5"), mat. 1.4301	2723001070
ELB-15.11	Hose clamp 90-110 mm (DN 80, 3"), mat. 1.4301	2723001090
ELB-13V1	Threaded strapping tape, 11 mm, 30 m, mat. 1.4301	2723001010
ELB-13V2	Turnbuckle 1.4301 (pkg. = 10 pieces), mat. 1.4301	0930042

Technical Specifications

Operating Voltage (max.)	100 – 277 VAC 50/60Hz
Nominal Current	20 mA
Ambient Temperature	- 4 °F to 131 °F / - 20 °C to 55 °C
Mounting Post Construction Material	PPS
Max. Operating Temperature Mounting Post	392 °F / 200 °C
Min. Installation Temperature	- 4 °F / - 20 °C
Ingress Protection	NEMA 4X
Impact resistance	min. 7 J
Max. tightening strap width:	3/8" / 16 mm
Max. Insulation Thickness	approx. 4" / 100 mm
Min. Pipe Diameter	>= 3/4" / >= 20 mm
Weight	approx. 1 lb / 0,45 kg
Rating	ELSR-HA (-GS / -WS) / ELSR-NA (-WS)



Ordering Information

Type	Description	Item no.
Ex-It-LAG	End-of-line termination device with green LED light and termination kit	09CALAG
Ex-It-LAR	End-of-line termination device with red LED light and termination kit	09CALAR