

Junction Box

Round, for Wall-mounting

This innovative junction box provides a lot of advantages. Due to the shape of the box, for instance, it is not necessary to strongly bend the inserted cable thereby avoiding cable damage.

The unique snap fit permits rapid closing of the cover without needing a special tool. A safety lock, with appropriate tool included, prevents the cover from moving. Additional features permit the attachment of sign plates facilitating easy identification of heating circuits in complex systems.

Advantages:

- Rapid closing of the cover through snap fit, no tool required
- Increased mechanical safety through round shape
- Permits fixing of customer identification plates
- Up to 3 heating cables can be connected

Applications:

- Chemical & petrochemical industries
- Power stations
- Industrial plants with a need for frost protection or temperature maintenance



Type **ELAK-R**

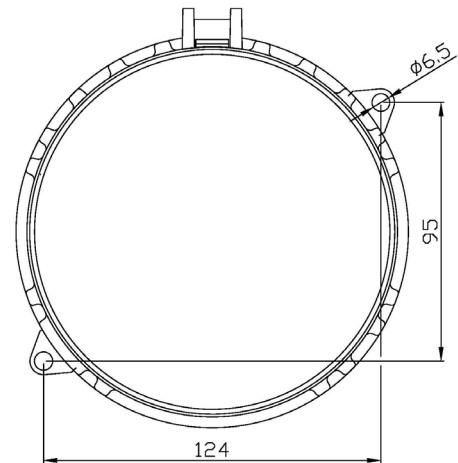


Technical Information

Data

■ Ambient temperature	-45°C up to +50°C
■ Nominal current	See type plate, max. 28 A each terminal 6 mm ²
■ Nominal voltage	See type plate, max. 800 VAC
■ Terminals heating cable	Max. 6 mm ² / AWG 10
■ Terminals temperature sensor	Max 1.5 mm ² / AWG 16
■ Enclosure	Polyamide, RAL 7043 traffic grey
■ Dimensions (approx.):	Dia. 150 mm, height 125 mm
■ Cable glands	Polyamide
■ IP rating	IP65
■ Weight	Approx. 0.7 kg

Type ELAK-R



Type	Application	Features	Item n°
ELAK-R-1	Star point for 3 heating cables ELKM-AG (L and N)	wall-mounting, 3 x M16 (3-7)	0920051
ELAK-R-2	Connection of 1 heating cable ELK-AG (L and N) or star point for 3 heating cables ELKM-AG -...	wall-mounting, 1x M25 (9-17), 2 x M16 (3-7), 1 bore hole with thread plug M16 *	0920052
ELAK-R-3	Connection of 1 heating cable ELW-VA	wall-mounting, 1x M25 (9-17), 1 x M20 (6-12)	0920053
ELAK-R-7	Supply: 1 to 3 self-regulating heating cables ELSR	wall-mounting, 1x M25 (9-17), 1 x bore hole M25, 2 x bore holes with thread plug M25 *	0920057
ELAK-R-8	connection of up to 2 Pt 100, 2 to 4 conductors + up to 2 sensor lines max 2.5 mm ²	1x M25 (9-17), 1 x M16 (3-7), 1 x M16 (3-7) with blind plugs, 1 x bore hole with thread plug M25 *	0920058

Note: Connection and termination kits are not included in the ELAK-R system. Please place a separate order for these items which depend on the type of heating cable used.