



## At a glance

### Applications



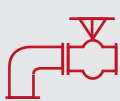
Frost protection



Temperature maintenance



Silos, containers, tanks



Pipelines, valves, pumps

- Building technology
- Water and wastewater systems
- Industrial plants that require frost protection or process temperatures

### Advantages

- Wall mounting
- No static charging
- Snap lock = close the cover without using a tool
- Special shape ensures high stability and robustness

### Suitable connection

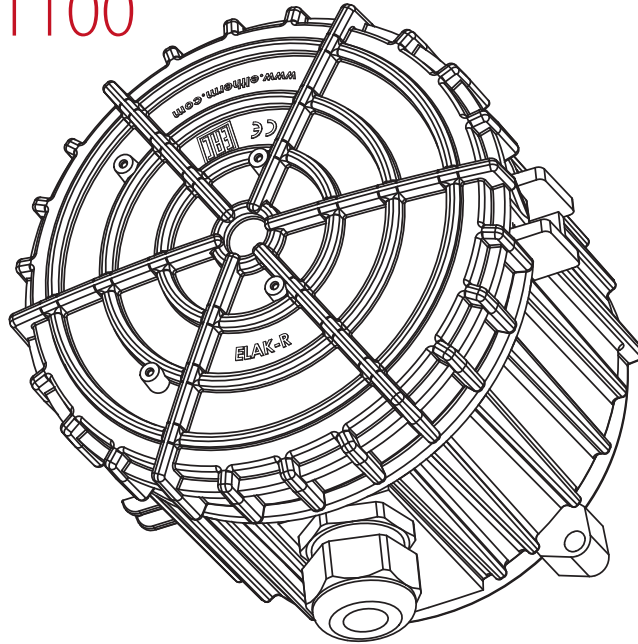
- Up to 3 heating cables ELSR,
- Up to 3 heating cables ELKM-A\*
- Up to 2 PT100
- 1 supply line

### Approvals



# ELAK-R

## Junction Box for ELSR & ELKM & PT100



The innovative junction box ELAK-R offers many advantages thanks to its unusual shape. For example, the cable that is led in does not have to be bent sharply thanks to the round shape of the junction box. This protects the cable against damage. A safety screw connection with enclosed tool prevents the cover from moving or being opened by unauthorised persons. Additional fastening possibilities for identification plates make it possible to label heating circuits reliably in complex systems. Suitable for wall mounting.

## Checklist

### Mounting fixtures for pipe mounting

EL-VSB 300	Mounting bracket, adjustable 180 to 300 mm, mat. 1.4301	0941085
EL-VSB 400	Mounting bracket, adjustable 280 to 400 mm, mat. 1.4301	0941086

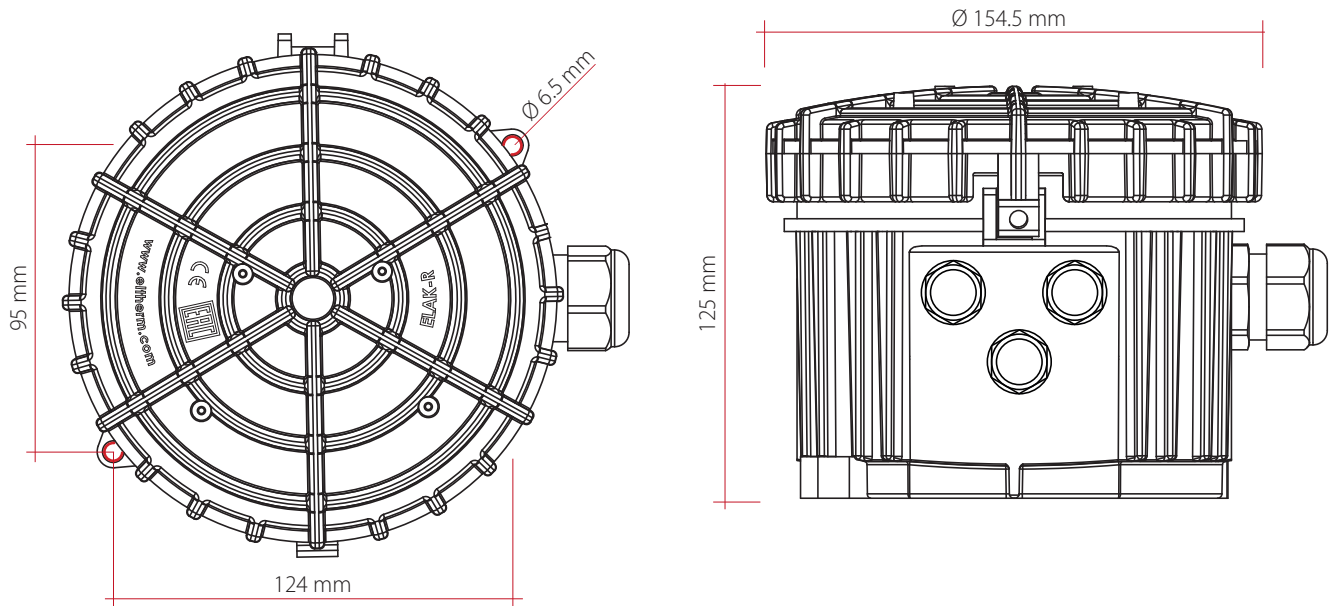
### Assembly accessories for pipelines

ELB-15.02	Hose clamp 16-25 mm (DN 15, 1/2"), mat. 1.4301	2723001016
ELB-15.04	Hose clamp 25-40 mm (DN 25, 1"), mat. 1.4301	2723001025
ELB-15.06	Hose clamp 40-60 mm (DN 40, 1.5"), mat. 1.4301	2723001040
ELB-15.09	Hose clamp 70-90 mm (DN 65, 2.5"), mat. 1.4301	2723001070
ELB-15.11	Hose clamp 90-110 mm (DN 80, 3"), mat. 1.4301	2723001090
ELB-13V1	Threaded strapping tape, 11 mm, 30 m, mat. 1.4301	2723001010
ELB-13V2	Turnbuckle 1.4301 (pkg. = 10 pieces), mat. 1.4301	0930042

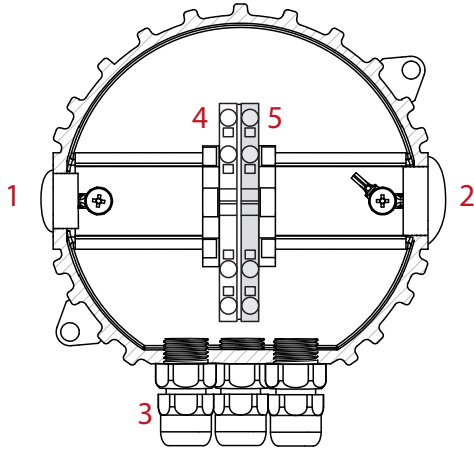
## Technical Specifications

Operating voltage (max.)	800 V AC
Nominal current	Max. 32 A per terminal 6 mm <sup>2</sup> (max. 24 A ELAK-R8)
Ambient temperature	- 45 °C to +50 °C
Connection cross-section*	Supply line max. 6 mm <sup>2</sup> , 9 - 17 mm diameter
Housing material	Polyamide, grey
Dimensions	(approx.) Ø 154.5 mm, height 125 mm
Protection	IP 65
Mounting	Wall mounting
Weight	approx. 0.7 kg

\* Connection cross-section (solid or with fine wires without wire end ferrule); terminal heating cable max. 6 mm<sup>2</sup> (AWG10); Terminal temperature sensor max. 2.5 mm<sup>2</sup> (AWG 13)

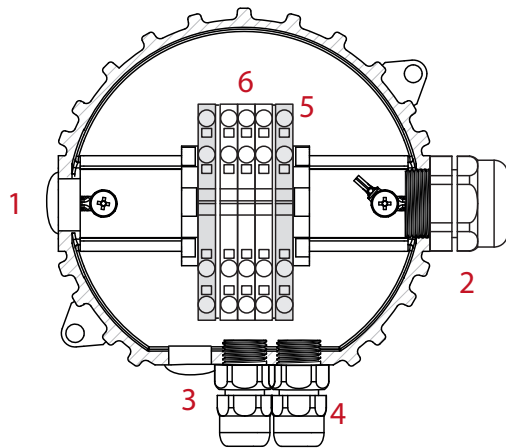


## Scope of supply



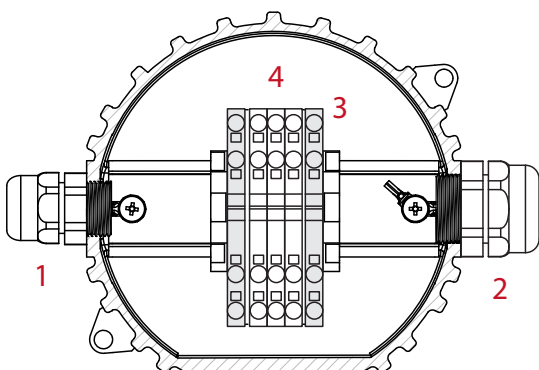
### ELAK-R1

Pos.	Type	Quantity	Clamp-range
1	Closing plug M20x1,5	1	-
2	Closing plug M25x1,5	1	-
3	Cable gland M16x1,5	3	4 - 10 mm
4	Feed-through terminal	1	6 mm <sup>2</sup>
5	Protective earth terminal	1	6 mm <sup>2</sup>



### ELAK-R2

Pos.	Type	Quantity	Clamp-range
1	Closing plug M20x1,5	1	-
2	Cable gland M25x1,5	1	9-13/12-17 mm
3	Closing plug M16x1,5	1	-
4	Cable gland M16x1,5	2	4 - 10 mm
5	Protective earth terminal	2	6 mm <sup>2</sup>
6	Feed-through terminal	3	6 mm <sup>2</sup>



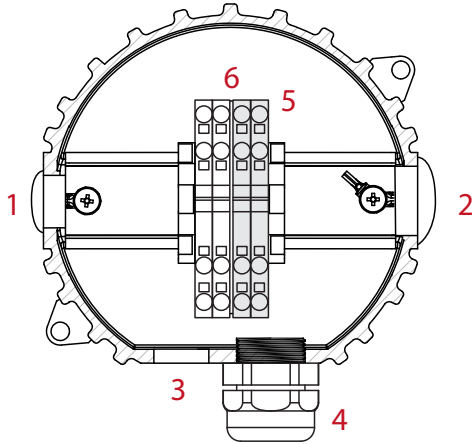
### ELAK-R3

Pos.	Type	Quantity	Clamp-range
1	Cable gland M20x1,5	1	9 - 12 mm
2	Cable gland M25x1,5	1	9-13/12-17 mm
3	Protective earth terminal	2	6 mm <sup>2</sup>
4	Feed-through terminal	3	6 mm <sup>2</sup>

## Ordering Information

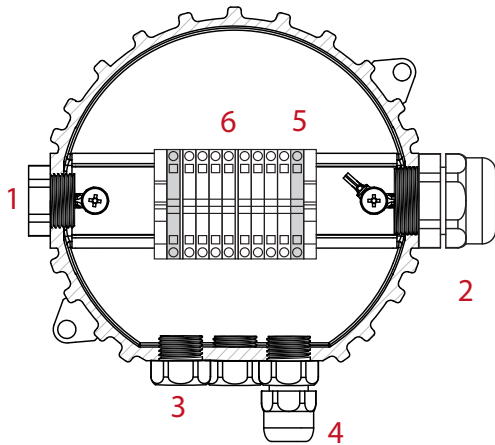
Type	Suitable connection	Item no.
ELAK-R1	Star point for 3 heating cables ELKM-AG (L and N)	0920051
ELAK-R2	Connection of 1 ELKM-AG (L and N) or star in feed, or 3 heating cables ELKM-AG	0920052
ELAK-R3	Connection of a heating cable ELW-VA	0920053

## Scope of supply



### ELAK-R7

Pos.	Type	Quantity	Clamp-range
1	Closing plug M20x1,5	1	-
2	Closing plug M25x1,5	1	-
3	Bohrung M20	1	-
4	Cable gland M25x1,5	1	9-13/12-17 mm
5	Protective earth terminal	2	6 mm <sup>2</sup>
6	Feed-through terminal	2	6 mm <sup>2</sup>



### ELAK-R8

Pos.	Type	Quantity	Clamp-range
1	Closing plug M20x1,5	1	-
2	Cable gland M25x1,5	1	9-13/12-17 mm
3	Closing plug M16x1,5	2	-
4	Cable gland M16x1,5	1	4 - 10 mm
5	Protective earth terminal	3	2,5 mm <sup>2</sup>
6	Feed-through terminal	8	2,5 mm <sup>2</sup>

■ Clamp for earthing or electrical protection

Note: The ELAK-R system does not include connection and termination sets. Please order these separately according to the Type of heating tape you are using.

## Ordering Information

Type	Suitable connection	Item no.
ELAK-R7	Connection of 1 up to 3 self-regulating heating cables ELSR	0920057
ELAK-R8	Connection of 1 up to 2 Pt100, 2-4 wires & up to 2 sensor connection cables max. 2.5 mm <sup>2</sup>	0920058