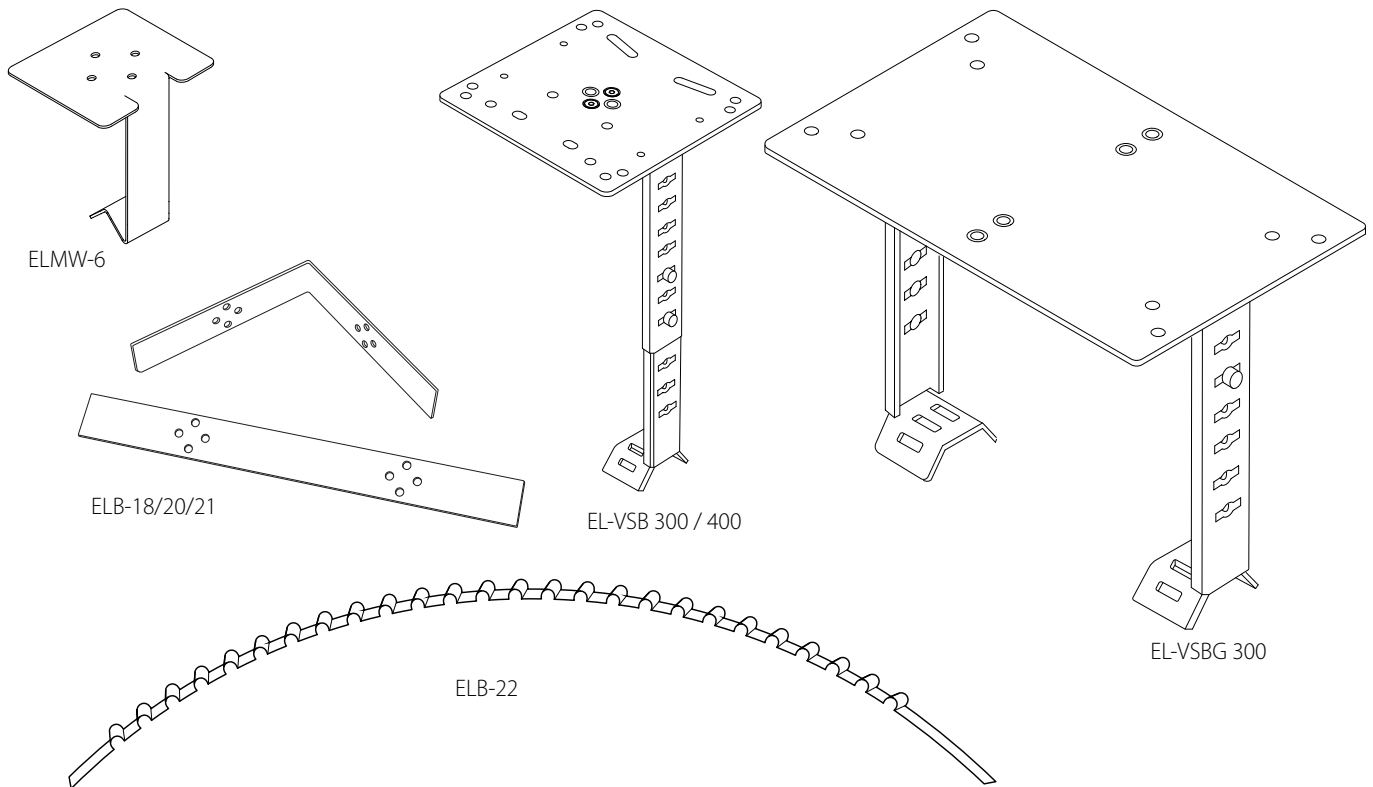


Assembly Accessories

Mounting Brackets & Mounting Profiles



Ordering Information

| Type | Application | Item no. |
|-------------|---|----------|
| ELMW-6 | Mounting bracket for ELAK-2, mat. 1.4301/SS 304, max. insl. thickness 80 mm | 0941006 |
| ELMW-9 | Mounting bracket for ELAK-Ex-3 & ELAK-5, mat. 1.4301/SS 304, max. insl. thickness 80 mm | 0941009 |
| ELMW-11 | Mounting bracket for ELAK 5.1, ELTC-14 & 05, mat. 1.4301/SS 304, max. insl. thickness 80 mm | 0941011 |
| ELMW-13 | Mounting bracket for ELAK-6 mat. 1.4301/SS 304, max. insl. thickness 80 mm | 0941013 |
| ELMW-15 | Mounting bracket for ELAK-7, ELTh-3, mat. 1.4301/SS 304, max. insl. thickness 80 mm | 0941015 |
| ELMW-Ex-Box | Mounting fixture for Ex box, mat.: 1.4301/SS 304, max. insl. thickness 80 mm | 0941072 |
| ELMW-CT | Mounting bracket for EL-CT, mat. 1.4301/SS 304, max. insl. thickness 80 mm | 0941025 |
| EL-VSBG 300 | Mounting fixture, suitable for all ELAK-Ex 9, adjustable height 280 - 400 mm, mat. 1.4301 | 0941084 |
| ELMW-GP1 | Mounting bracket for boxes 180x130mm, Mat. 1.4301/SS 304, max. insl. thickness 80 mm | 0941020 |
| EL-VSB 300 | Mounting fixture, suitable for all ELAK-Ex 2-4, adjustable height 180 - 300 mm, mat. 1.4301 | 0941085 |
| EL-VSB 400 | Mounting fixture, suitable for all ELAK-Ex 2-4, adjustable height 280 - 400 mm, mat. 1.4301 | 0941086 |
| ELB-18 | Mounting and fastening plate for gutters, 290 x 30 x 1.5 mm, mat. 1.4301 | 0930040 |
| ELB-20 | Mounting bracket 90° for downpipes, mat. 1.4301 | 0930043 |
| ELB-21 | Laying profile for gutters, length 290 mm, mat. 1.4301 | 0930044 |
| ELB-22 | Laying profile for heating cables, length 25 mm, mat. PE | 0942000 |